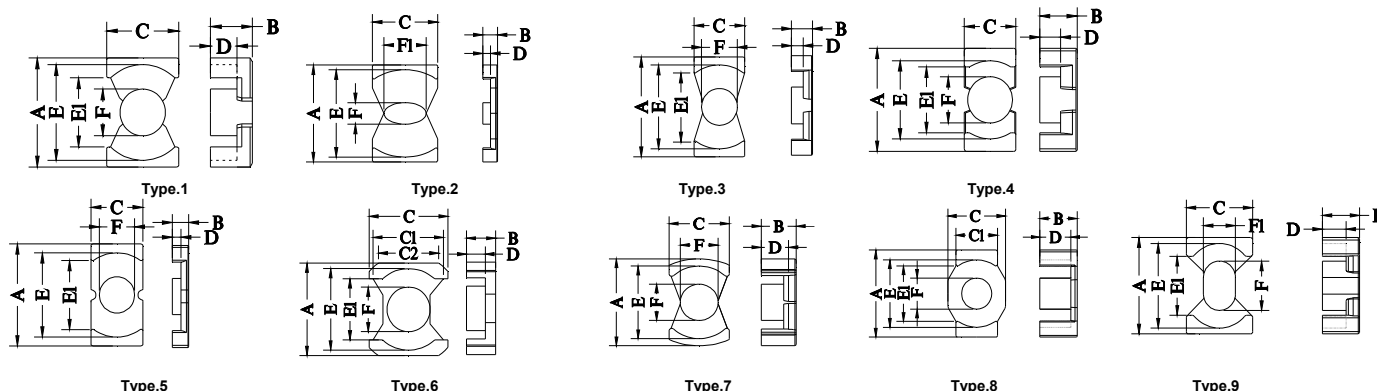
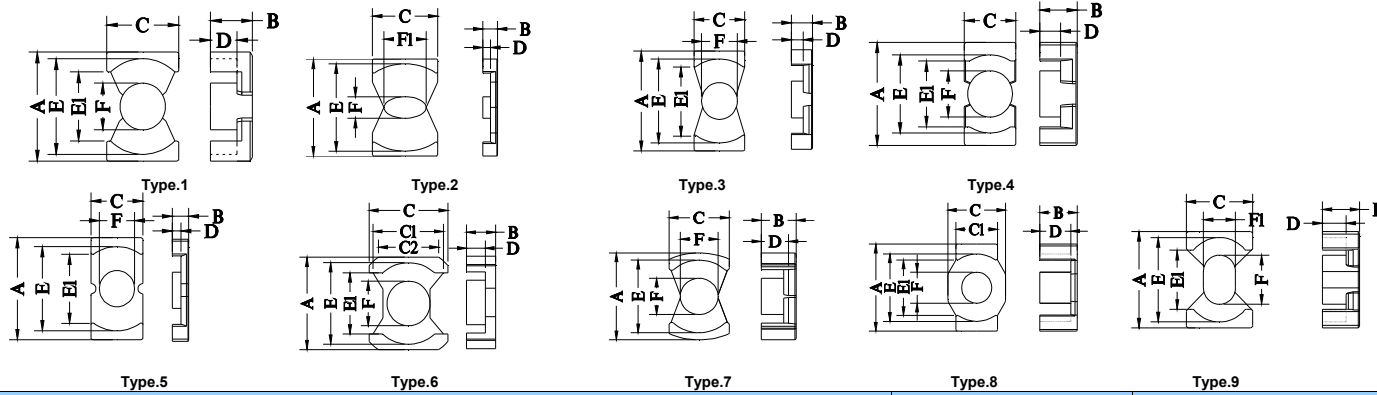


NO.	Type	尺寸(Unit: mm)											磁心参数				Al-value (nH/N ²)±25%						功耗Max (W/set)					
		A	B	C	C1	C2	D	E	E1	F	F1	C1	Le	Ae	Ve	KP4	KP44	KP44A	KP47	KP90	KP95	KP4	KP44	KP44A	KP47	KP90	KP95	
		(mm ⁻¹)	(mm)	(mm ²)	(mm ³)																							
PQ19-1	PQ19.9/16	9	19.9±0.4	7.95±0.1	14.1±0.3			5.05±0.1	17.5±0.3	12.2±0.20	10.2±0.25	6.8±0.20	0.62	38.86	62.60	2431	2861	2861	2861	2980	2622	3933	1.70	1.55	1.41	1.34	1.55	1.55
PQ19-2	Q19.9/15	9	19.9+0.2/-0.4	7.5±0.1	14.1±0.3			4.55±0.1	17.5±0.30	12.2±0.30	10.2±0.20	6.8±0.20	0.61	36.82	60.80	2240	3461	3461	3461	3605	3172	4759	1.27	1.16	1.05	1.00	1.16	1.16
LQ20-1	LQ20/16.9	7	20.0±0.3	8.45±0.15	14.0±0.3			5.65±0.2/-0.1	17.4±0.3	11.4±0.3	8.5±0.15		0.65	38.90	59.60	2319	3248	3248	3248	3383	2977	4466	1.42	1.30	1.17	1.12	1.30	1.30
PQ20-1	PQ20/20	1	20.50±0.4	10.10±0.2	14.00±0.4			7.15±0.2	18.00±0.4	12.00min	8.80±0.2		0.74	45.40	62.00	2790	2861	2861	2861	2980	2622	3933	1.70	1.55	1.41	1.34	1.55	1.55
PQ20-2	PQ20/18	1	20.50±0.4	9.10±0.2	14.00±0.4			6.15±0.2	18.00±0.4	12.00min	8.80±0.2		0.67	41.40	62.00	2566	3151	3151	3151	3282	2888	4333	1.58	1.44	1.30	1.24	1.44	1.44
PQ20-3	PQ20/17	1	20.50±0.4	8.50±0.2	14.00±0.4			5.55±0.2	18.00±0.4	13.3min	8.80±0.2		0.61	38.00	61.90	2352	3461	3461	3461	3605	3172	4759	1.50	1.37	1.24	1.17	1.37	1.37
PQ20-5	PQ2014	1	20.2±0.5	7.0±0.15	13.8±0.3			4.4±0.15	17.2min(17.7)	12.5min(13.4)	8.8±0.15		0.60	35.30	59.13	2088	3519	3519	3519	3665	3225	4838	1.24	1.13	1.03	0.97	1.13	1.13
PQ20-7	PQ20/12.8	1	20.5+0.3/-0.4	6.4±0.1	14.0±0.4			3.8±0.1	18+0.4/-0.35	12.2min	8.8±0.20		0.57	33.80	58.90	1991	3704	3704	3704	3858	3395	5093	1.18	1.08	0.98	0.93	1.08	1.08
PQ22-1	PQ2216	1	21.8±0.4	8.0±0.1	13.9±0.30			4.5±0.15	18.1min(18.5)	14.35±0.3	9.5±0.2		0.49	35.64	72.90	2599	4308	4308	4308	4488	3949	5924	1.77	1.62	1.46	1.39	1.62	1.62
PQ22.5-1	PQ22.5	7	22.5±0.45	8.7±0.1	15.0±0.3			5.6+0.2/-0.1	18.8+0.45/-0.25	13.8min	9.4+0.1/-0.2		0.57	42.17	74.30	3133	3704	3704	3704	3858	3395	5093	1.78	1.63	1.47	1.40	1.63	1.63
PQ23-1	PQ22.8F	1	22.80±0.4	8.65±0.1	14.40±0.4			5.70±0.15	20.30±0.4	14.60min	8.80±0.2		0.60	40.00	62.00	2480	3519	3519	3519	3665	3225	4838	1.61	1.47	1.33	1.26	1.47	1.47
PQ23-2	PQ22.8F	1	22.80±0.4	14.95±0.1	14.40±0.4			12.00±0.15	20.30±0.4	14.60min	11.50±0.2		0.85	63.20	74.10	4683	2484	2484	2484	2587	2277	3415	3.09	2.82	2.56	2.43	2.82	2.82
PQ23-3	PQ2320.2	1	23.5±0.45	10.1±0.15	17.0±0.35			6.5±0.2	20.3±0.45	13.8min	10.6±0.2		0.50	46.36	92.70	4282	4222	4222	4222	4398	3870	5806	2.60	2.37	2.15	2.04	2.37	2.37
LQ25-1	LQ25/18.8	3	25.0±0.4	9.425±0.20	17.0±0.30			6.425±0.15	21.8±0.40	16.0±0.4	10.8±0.20		0.53	48.14	90.88	4375	3983	3983	3983	4149	3651	5477	2.20	2.01	1.81	1.72	2.01	2.01
PQ26-2	PQ26/20A	1	26.50±0.45	10.10±0.20	19.00±0.45			5.80±0.20	22.50±0.45	15.50min	12.00±0.20		0.39	46.30	119.00	5510	5413	5413	5413	5639	4962	7443	3.57	3.26	2.95	2.80	3.26	3.26
PQ26-3	PQ26/25B	1	26.50±0.45	12.375±0.25	19.00±0.45			8.05±0.3	22.50±0.45	16.50min	12.00±0.2		0.49	55.50	114.00	6327	4336	4336	4336	4517	3975	5963	3.86	3.53	3.19	3.03	3.53	3.53
PQ26-5	PQ26/20B	1	26.50±0.45	10.275±0.25	19.00±0.45			5.95±0.3	22.50±0.45	15.90min	12.00±0.2		0.39	46.30	119.00	5510	5413	5413	5413	5639	4962	7443	3.63	3.32	3.00	2.85	3.32	3.32
PQ26-6	PQ26/20C	1	26.50±0.45	10.075±0.4	19.00±0.45			5.75±0.4	22.50±0.45	16.50min	12.00±0.25		0.40	46.30	115.00	5324	5278	5278	5278	5498	4838	7257	3.57	3.26	2.95	2.80	3.26	3.26
PQ26-7	PQ26/25C	1	26.50±0.45	12.50±0.25	19.00±0.45			8.175±0.3	22.50±0.45	15.90min	12.00±0.2		0.47	55.50	118.00	6549	4492	4492	4492	4679	4117	6176	3.91	3.57	3.23	3.07	3.57	3.57
PQ26-8	PQ26/20D	1	26.50±0.4	10.07±0.26	19.00±0.4			5.75±0.3	22.5+0.40/-0.30	15.50min	12.00±0.3		0.40	46.30	119.00	5509	5278	5278	5278	5498	4838	7257	3.45	3.15	2.85	2.71	3.15	3.15
PQ26-9	PQ26/28A	1	26.50±0.45	14.05±0.4	19.00±0.45			9.55±0.4	22.50±0.45	16.50min	12.00±0.2		0.53	60.00	114.00	6840	3983	3983	3983	4149	3651	5477	4.37	3.99	3.61	3.43	3.99	3.99
PQ26-11	PQ26/35	1	26.50±0.45	17.30±0.13	19.00±0.45			13.00±0.15	22.50±0.45	16+0.45/-0.60	12.00±0.2		0.62	73.00	117.00	8572	3384	3384	3384	3525	3102	4652	5.38	4.91	4.45	4.22	4.91	4.91
PQ26-13	PQ26/28B	1	26.50±0.45	14.00±0.2	19.00±0.45			9.70±0.2	22.50±0.45	16.90±0.4	12.00±0.2		0.53	60.00	114.00	6840	3983	3983	3983	4149	3651	5477	4.31	3.94	3.56	3.38	3.94	3.94
PQ26-21	PQ2618	7	26.0±0.4	9.3±0.15	16.3±0.2			6.0±0.15	19.9min	16.0min	9.9±0.15		0.54	46.30	86.00	3987	3910	3910	3910	4072	3584	5376	2.30	2.10	1.90	1.81	2.10	2.10
PQ26-24	PQ2625	1	26.5±0.45	12.45±0.15	19.0±0.45			8.15+0.2/-0.1	22.9±0.45	17.4±0.45	12.0±0.2		0.50	58.13	117.05	6804	4222	4222	4222	4398	3870	5806	3.91	3.57	3.23	3.07	3.57	3.57
PQ27-1	PQ2725	1	27.50±0.5	12.40±0.2	19.00±0.5			8.05±0.2	23.50±0.4	17.20min	12.00±0.3		0.49	58.30	119.00	6929	4308	4308	4308	4488	3949	5924	4.04	3.69	3.33	3.17	3.69	3.69
PQ27-3	PQ2717	1	27.2±0.4	8.4±0.2	19.0±0.35			4.0±0.2	23.3±0.4	16.8min	12.0±0.2		0.32	38.50	121.60	4682	6597	6597	6597	6872	6048	9071	3.08	2.81	2.54	2.41	2.81	2.81
PQ29-1	PQ29/19/25.6	6	29.0±0.4	9.50±0.15	25.60±0.4	22.90±0.23	15.3±0.4	6.10±0.15	25.60±0.3	19.20±0.4	14.00±0.25		0.33	49.40	150.00	7412	6397	6397	6397	6664	5864	8796	4.21	3.84	3.48	3.30	3.84	3.84
PQ30-1	PQ30/20	1	30.00±0.50	9.90±0.30	20.50±0.50			6.60±0.30	25.50±0.50	20.20min	13.30±0.25		0.41	52.00	126.50	6578	5136	5136	5136	5350	4708	7062	3.89	3.55	3.21	3.05	3.55	3.55
PQ30-2	PQ30/25	1	30.00±0.50	12.60±0.40	20.50±0.50			9.30±0.4	25.50±0.5	20.20min	13.30±0.25		0.47	60.00	126.50	7560	4451	4451	4451	4636	4080	6120	4.77	4.36	3.94	3.75	4.36	4.36
PQ30-3	PQ30/30	1	30.00±0.50	15.10±0.40	20.50±0.50			11.80±0.40	25.50±0.50	20.20min	13.30±0.25		0.53	67.00	126.50	7560	3986	3986	3986	4152	3654	5481	5.52	5.04	4.56	4.33	5.04	5.04



NO.	Type	尺寸(Unit: mm)										磁心参数				Al-value (nH/N ²)±25%						功耗Max (W/set)						
		A	B	C	C1	C2	D	E	E1	F	F1	C1	Le	Ae	Ve	KP4	KP44	KP44A	KP47	KP90	KP95	KP4	KP44	KP44A	KP47	KP90	KP95	
		(mm ⁻¹)	(mm)	(mm ²)	(mm ³)								(mm)	(mm ²)	(mm ³)													
PQ30-4	PQ30/26	1	30.00±0.50	13.00±0.30	20.50±0.50			9.70±0.40	25.50±0.50	20.20min	13.30±0.25		0.47	60.00	126.50	7560	4451	4451	4451	4636	4080	6120	4.88	4.45	4.03	3.83	4.45	4.45
PQ32-1	PQ32/20A	1	32.00±0.50	10.275±0.25	22.00±0.50			5.75±0.30	27.50±0.50	19.00min	13.45±0.25		0.31	48.90	156.00	7628	6341	6341	6341	6341	6151	7841	4.83	4.41	3.99	3.79	4.41	4.41
PQ32-2	PQ32/25A	1	32.00±0.50	12.725±0.10	22.00±0.50			8.20±0.20	27.50±0.50	19.00min	13.45±0.25		0.38	58.60	155.50	9112	5462	5462	5462	5462	5289	6845	5.59	5.10	4.62	4.39	5.10	5.10
PQ32-3	PQ32/30	1	32.00±0.50	15.175±0.25	22.00±0.50			10.65±0.30	27.50±0.50	19.00min	13.45±0.25		0.44	68.30	155.10	10593	4914	4914	4914	4914	4752	6223	6.33	5.78	5.23	4.96	5.78	5.78
PQ32-4	PQ32/35	1	32±0.7/-0.1	17.75±0.25	22.00±0.50			13.25±0.30	27.50±0.50	19.50min	13.45±0.25		0.51	78.90	153.40	12103	4388	4388	4388	4388	4239	5610	7.48	6.83	6.18	5.87	6.83	6.83
PQ32-5	PQ32/20B	1	32.00±0.50	10.80±0.2	22.00±0.5			6.30±0.15	27.50±0.50	19.00min	13.40±0.30		0.33	51.00	155.60	7936	6036	6036	6036	6036	5853	7488	5.09	4.65	4.21	4.00	4.65	4.65
PQ32-7	PQ32/20C	1	32.00±0.50	10.725±0.25	22.0±0.50			6.2±0.30		19.50min	13.45±0.25		0.33	50.80	154.90	7869	6029	6029	6029	6029	5846	7476	4.97	4.54	4.10	3.90	4.54	4.54
PQ32-9	PQ32/21	1	32.00±0.50	10.475±0.25	22.00±0.50			5.95±0.30	27.5±0.50	19.00min	13.45±0.25		0.32	49.60	156.00	7738	6171	6171	6171	6171	5985	7638	4.83	4.41	3.99	3.79	4.41	4.41
PQ32-11	PQ32/25B	1	32.00±0.50	12.65±0.3	22.00±0.50			8.10±0.3	27.50±0.5	22.75min	13.45±0.25		0.41	58.90	143.80	8470	5070	5070	5070	5070	4909	6355	5.31	4.85	4.39	4.17	4.85	4.85
PQ32-12	PQ32/27	1	32.00±0.50	13.40±0.40	22.00±0.50			8.90±0.40	27.50±0.5	19.00min	13.45±0.26		0.40	61.30	155.10	9508	5254	5254	5254	5254	5086	6605	5.84	5.33	4.83	4.58	5.33	5.33
PQ32-13A	PQ32/18A	1	32.00±0.30	9.00±0.3	22.00±0.50			5.80±0.4	27.50±0.51	19.00min	13.45±0.3		0.35	46.40	133.00	6171	5521	5521	5521	5521	5358	6800	4.09	3.74	3.38	3.21	3.74	3.74
PQ32-13B	PQ32/18B	1	32.00±0.5	14.00±0.4	22.00±0.5			9.50±0.4	27.50±0.6	19.00min	13.40±0.3		0.41	63.70	155.00	9874	5179	5179	5179	5179	5012	6528	6.13	5.60	5.06	4.81	5.60	5.60
PQ32-16	FEM3207	3	32.50±0.4	7.10±0.3	17.00±0.3			3.90±0.2	27.40±0.4	22.20±0.4	12.00±0.3		0.32	36.90	114.00	4207	5501	5501	5501	5501	5351	6653	2.61	2.38	2.16	2.05	2.38	2.38
PQ32-17	PQ3220	1	32.00±0.5	10.275±0.15	22.00±0.5			5.80±0.15	27.50±0.5	19.90±0.5	13.45±0.25		0.32	48.70	151.50	7378	6135	6135	6135	6135	5951	7583	4.85	4.43	4.01	3.81	4.43	4.43
PQ33-1	DC331725	4	33.00±0.5	12.30±0.2	17.00±0.25			6.80±0.2	24.50min	21.00±0.4	14.80±0.2		0.31	54.50	174.00	9483	6556	6556	6556	6556	6353	8173	5.87	5.36	4.85	4.60	5.36	5.36
PQ33-2	PQ33/27.2/29.5	1	33.0±0.50	13.6±0.15	29.5±0.50			9.15±0.15	29.55±0.50	14.5±0.50	19.0±0.30		0.24	63.30	260.00	16458	8708	8708	8708	8708	8427	11196	9.58	8.75	7.91	7.52	8.75	8.75
PQ34-1	PQ3428	1	34.0±0.5	14.0±0.125	24.0±0.5			9.15±0.15	29.0±0.45	21.0±0.45	17.0±0.3		0.31	65.82	212.58	13992	6918	6918	6918	6918	6692	8921	8.17	7.46	6.75	6.41	7.46	7.46
PQ35-1	PQ35/27	1	35.10±0.60	13.775±0.25	26.00±0.50			8.90±0.30	32.00±0.50	23.5min	14.35±0.25		0.38	65.40	171.80	11236	5627	5627	5627	5627	5444	7106	6.90	6.30	5.70	5.42	6.30	6.30
PQ35-2	PQ35/35	1	35.10±0.60	17.375±0.25	26.00±0.50			12.50±0.30	32.00±0.50	23.50min	14.35±0.25		0.47	79.80	171.00	13646	4774	4774	4774	4774	4611	6107	8.22	7.51	6.79	6.45	7.51	7.51
PQ35-5	PQ35/25A	1	35.10±0.6	12.50±0.4	26.00±0.5			7.65±0.4	32.00±0.5	23.50min	14.35±0.25		0.35	60.40	171.90	10383	5981	5981	5981	5981	5790	7510	6.60	6.03	5.45	5.18	6.03	6.03
PQ35-6	PQ35/30	1	35.00±0.5	15.15±0.2	26.00±0.3			10.28±0.2	32.00±0.5	23.50min	14.35±0.25		0.42	72.00	172.50	12420	5248	5248	5248	5248	5073	6670	7.25	6.62	5.99	5.69	6.62	6.62
PQ35-7	PQ35/25B	1	35.10±0.5	12.75±0.4	26.00±0.5			8.40±0.4	32.00±0.5	23.50min	14.35±0.25		0.38	64.00	167.00	10688	5548	5548	5548	5548	5368	6995	6.49	5.92	5.36	5.09	5.92	5.92
PQ35-8	EQ3513	3	35.00±0.6	6.80±0.15	18.60±0.35			4.10±0.15	29.80±0.6	25.10±0.6	12.90±0.25		0.40	42.90	106.00	4565	4649	4649	4649	4649	4515	5691	2.93	2.68	2.42	2.30	2.68	2.68
PQ35-9	PQ3610	1	35.50±0.5	5.00±0.1	26.50±0.5			2.60±0.15	32.30±0.4	23.50min	14.30±0.3		0.33	36.50	112.00	4098	5440	5440	5440	5440	5293	6575	2.88	2.63	2.38	2.26	2.63	2.63
PQ35-10	PQ3526	1	35.10±0.6	12.80±0.2	26.00±0.5			8.30±0.2	32.00±0.6	23.50min	14.05±0.25		0.38	61.50	163.00	10639	5575	5575	5575	5575	5397	7010	6.69	6.11	5.53	5.25	6.11	6.11
PQ35-14	PQ3535	1	35.0±0.4	17.45±0.15	25.9±0.3			12.9±0.2	32.0±0.6/-0.3	24.8min	14.35±0.25		0.50	81.93	163.40	13387	4513	4513	4513	4513	4359	5784	7.89	7.20	6.52	6.19	7.20	7.20
PQ35-15	PQM35	3	35.0±0.6	9.3±0.15	18.6±0.35			5.45±0.15	29.8±0.6	24.8±0.6	12.9±0.25		0.41	53.84	130.90	7048	4939	4939	4939	4939	4787	6152	4.05	3.70	3.34	3.18	3.70	3.70
PQ37-1	PQ37/21.4	1	36.5±0.45	10.7±0.15	28.0±0.4			6.2±0.15	33.0±0.40	22.0±0.50	16.0±0.25		0.28	59.20	209.20	12385	7568	7568	7568	7568	7321	9759	7.02	6.41	5.80	5.51	6.41	6.41
PQ37-2	PQ2717	1	37.1±0.6	17.4±0.2	26.0±0.5			12.5±0.2	34.0±0.6	25.5min	14.35±0.25		0.49	83.00	167.90	13936	4680	4680	4680	4680	4515	6178	8.43	7.70	6.96	6.62	7.70	7.70
PQ38-1	PQ38/11	3	38.00±0.40	6.325±0.125	21.20±0.3			3.35±0.125	32.50±0.4	26.80min	14.20±0.2		0.31	38.60	125.00	4825	5865	5865	5865	5865	5703	7120	3.54	3.23	2.93	2.78	3.23	3.23
PQ38-3	PQ38/11	2	38.00±0.65	5.85±0.1	26.40±0.5			3.10±0.1	34.20±0.65		17.00±0.25		0.27	37.60	138.00	5189	6582	6582	6582	6582	6401	7973	3.71	3.39	3.07	2.92	3.39	3.39



NO.	Type	尺寸(Unit: mm)										磁心参数				Al-value (nH/N ²)±25%						功耗Max (W/set)						
		A	B	C	C1	C2	D	E	E1	F	F1	C1	Le	Ae	Ve	KP4	KP44	KP44A	KP47	KP90	KP95	KP4	KP44	KP44A	KP47	KP90	KP95	
		(mm ⁻¹)	(mm)	(mm ²)	(mm ³)								(mm)	(mm ²)	(mm ³)													
PQ38-4	PQ38/16	3	38.00±0.65	8.1±0.15	21.32±0.4			4.6±0.15	32.80±0.65	25.84min	14.30±0.25		0.35	51.84	148.00	7672	5720	5720	5720	5720	5545	7104	4.30	3.93	3.55	3.38	3.93	3.93
PQ38-5	PQ38/14	3	38.00±0.65	7.10±0.15	21.32±0.40			4.10±0.15	32.80±0.65	25.85min	14.30±0.25		0.37	48.60	129.80	6308	5599	5599	5599	5599	5421	7177	3.82	3.49	3.15	3.00	3.49	3.49
PQ38-7	PQ38/19	3	38.00±0.65	9.4±0.15	21.32±0.4			5.1±0.15	32.8±0.65	25.85min	14.30±0.25		0.35	56.32	161.40	9090	6243	6243	6243	6243	6036	8091	5.22	4.77	4.31	4.10	4.77	4.77
PQ40-1	PQ40/13.6	5	40.00±0.7	6.80±0.2	21.00±0.35			3.70±0.2	32.60min	26.40min	14.20±0.2		0.29	43.50	151.00	6569	6563	6563	6563	6563	6373	8042	4.23	3.86	3.50	3.32	3.86	3.86
PQ40-2	PQ40/40	1	40.50±0.9	20.0±0.25	27.80±0.8			14.80±0.3	36.80±0.7	28.0min	14.80±0.3		0.50	93.30	188.00	17540	4672	4672	4672	4672	4508	6033	10.78	9.84	8.90	8.46	9.84	9.84
PQ41-1	PQ41/36	1	40.7±0.6	18.0±0.2	20.0±0.35			13.32±0.2	31.5±0.6	25.5±0.6	14.55±0.25		0.48	84.12	176.90	14881	4729	4729	4729	4729	4566	6069	9.28	8.47	7.67	7.28	8.47	8.47
PQ41-2	PQ41/32.25	8	40.7±0.6	16.125±0.2	27.7±0.45	20.0±0.30		13.125±0.2	31.5±0.6	25.9±0.6	14.55±0.3		0.44	80.66	182.10	14688	5111	5111	5111	5111	4937	6543	8.88	8.11	7.33	6.97	8.11	8.11
PQ41-3	PQM41/24	3	40.8±0.70	11.9±0.15	24.0±0.45			7.20±0.15	35.6±0.7	27.3min	15.6±0.30		0.33	65.33	196.70	12850	6478	6478	6478	6478	6267	8179	7.52	6.87	6.21	5.90	6.87	6.87
PQ50-1	PQ50/35	1	50.00±0.90	17.20±0.20	32.00±0.50			11.00±0.20	44.00±0.80	33.0min	20.00±0.3		0.27	84.80	313.00	26542	8392	8392	8392	8392	8102	10776	16.58	15.14	13.70	13.01	15.14	15.14
PQ50-2	PQ50/35B	1	50.0±0.8	16.9±0.2	32.0±0.5			10.6±0.2	44.0±0.8	33.0min	20.8±0.3		0.26	85.45	324.00	27686	8759	8759	8759	8759	8456	11252	16.54	15.10	13.66	12.98	15.10	15.10
PQ50-3	PQ50/35B	1	50.0±0.8	16.9±0.2	32.0±0.5	28.76REF		10.6±0.2	44.0±0.8	33.0min	21.1±0.3		0.26	85.22	326.90	27858	8754	8754	8754	8754	8451	11244	16.86	15.39	13.93	13.23	15.39	15.39
PQ60-1	PQ60/50	1	60.0±0.8	25.0±0.2	38.4±0.4			17.6±0.2	52.8±0.8	40.0±0.8	24.9±0.35		0.26	121.63	465.00	56558	9349	9349	9349	9349	9004	12245	33.33	30.43	27.53	26.15	30.43	30.43

重量 (g/set)
12.20
11.08
12.36
14.80
13.70
13.00
10.80
10.30
15.40
15.50
14.00
26.90
22.60
19.10
31.00
33.60
31.60
31.00
34.00
30.00
38.00
46.80
37.50
20.00
34.00
35.10
26.75
36.60
33.80
41.50
48.00

重量 (g/set)
42.40
42.00
48.60
55.00
65.00
44.30
43.20
42.00
46.20
50.80
35.60
53.30
22.70
42.20
51.00
83.30
71.05
60.00
71.50
57.40
63.00
56.40
25.50
25.06
58.20
68.60
35.20
61.00
73.30
30.80
32.30

重量 (g/set)
37.40
33.20
45.40
36.80
93.70
80.70
77.20
65.40
144.20
143.80
146.60
289.80